

JP2000-284295_E

[Title of the Invention] PANEL ASSEMBLING METHOD AND
APPARATUS

[Abstract]

[Object] To provide a panel assembling method and a panel assembling apparatus in which panels can be bonded to each other in vacuum with high accuracy even when the panels is increased in size and decreased in thickness.

[Construction] A bonding process is performed in vacuum in a state where an electrostatic adsorptive force is applied to an upper panel by a pressing plate and thus the upper panel is held by the pressing plate. The upper panel is held by the pressing plate with a suction adsorptive force, the upper panel is dropped and caught at a position slightly apart from the pressing plate because of removal of the suction adsorptive force in the process of decompression, and the electrostatic adsorptive force is applied to the upper panel, thereby allowing the pressing plate to hold the upper panel. In this state, the bonding process is performed in vacuum.

[Claims]

[Claim 1] A panel assembling method in which one panel is held on a lower surface of a pressing plate and the other

panel is held on a table such that both panels are opposed to each other, and in which both panels are bonded to each other by narrowing a gap therebetween with an adhesive provided on any one panel,

wherein the bonding is performed in a state where an electrostatic adsorptive force is applied to one substrate from the pressing plate to allow the pressing plate to hold one substrate.

[Claim 2] A panel assembling method in which one panel is held on a lower surface of a pressing plate and the other panel is held on a table such that both panels are opposed to each other, and in which both panels are bonded to each other by narrowing a gap therebetween with an adhesive provided on any one panel,

wherein the bonding is performed by allowing the pressing plate to hold the upper panel with a suction adsorptive force in the atmosphere, catching one panel dropped by means of removal of the suction adsorptive force in the course of decompression at a position slightly apart from the pressing plate, and allowing the pressing plate to apply an electrostatic adsorptive force to the caught panel and to hold the caught panel.

[Claim 3] A panel assembling method in which one panel is held on a lower surface of a pressing plate and the other panel is held on a table such that both panels are opposed

to each other, and in which both panels are bonded to each other by narrowing a gap therebetween with an adhesive provided on any one panel,

wherein the bonding is performed by allowing the pressing plate to hold and press one panel with a suction adsorptive force in the atmosphere and applying an electrostatic adsorptive force to the one panel from the pressing plate before or after the suction adsorptive force disappears in the course of decompression so as to allow the pressing plate to hold the one panel.

[Claim 4] A panel assembling apparatus in which one panel is held on a lower surface of a pressing plate located at the upside of a vacuum chamber and the other panel is held on a table located at the downside of the vacuum chamber such that both panels are opposed to each other and in which both panels are bonded to each other by narrowing a gap therebetween with an adhesive provided on any one panel in vacuum, the panel assembling apparatus comprising:

means for holding one panel on the pressing plate with a suction adsorptive force, means for holding the one panel on the pressing plate with an electrostatic adsorptive force, means for catching the one panel at a position slightly spaced from the pressing plate when the suction adsorptive force disappears in the course of decompressing the vacuum chamber or means for pressing the one panel to the pressing

plate, and means for applying at least the electrostatic adsorptive force and holding the one panel on the pressing plate when the one panel is placed on the catching means or the pressing means.

[Claim 5] A panel assembling apparatus in which one panel is held on a lower surface of a pressing plate located at the upside of a vacuum chamber and the other panel is held on a table located at the downside of the vacuum chamber such that both panels are opposed to each other and in which both panels are bonded to each other by narrowing a gap therebetween with an adhesive provided on any one panel in vacuum,

wherein the table can be horizontally moved to the outside and inside of the vacuum chamber, and

wherein the panel assembling apparatus comprises means for patterning an adhesive material in a closed pattern on the other panel on the table located at the outside of the vacuum chamber, means for dropping liquid crystal in the closed pattern of the adhesive material on the other panel on the table, means for holding one panel on the pressing plate with a suction adsorptive force, means for holding the one panel on the pressing plate with an electrostatic adsorptive force, means for catching the one panel at a position slightly spaced from the pressing plate when the suction adsorptive force disappears in the course of

decompressing the vacuum chamber or means for pressing the one panel to the pressing plate, and means for applying at least the electrostatic adsorptive force and holding the one panel on the pressing plate when the one panel is placed on the catching means or the pressing means.

[Detailed Description of the Invention]

[0001]

[Industrial Applicability]

The present invention relates to a panel assembling method and a panel assembling apparatus in which two panels are bonded to each other by opposing the two panels to each other in a vacuum chamber and narrowing a gap therebetween in vacuum.

[0002]

[Description of the Related Art]

In manufacturing liquid crystal display panels, there is a process in which two sheets of glass panels on which transparent electrodes or a thin film transistor array is formed are bonded to each other with an adhesive (hereinafter, also referred to as "sealing material") with a very small gap of several microns therebetween (hereinafter, the bonded panel is referred to as a "cell") and liquid crystal is enclosed in the gap therebetween.

[0003]

As a technique for enclosing the liquid crystal, there is known a method disclosed in Japanese Unexamined Patent Application Publication No. S62-165622 in which the liquid crystal is dropped on one panel on which the sealing material is drawn in a closed pattern without an injection port, the other panel is disposed above the panel, and then the panels are bonded to each other by allowing the panels to approach each other in vacuum or a method disclosed in Japanese Unexamined Patent Application Publication No. H10-26763 in which the sealing material is drawn in a pattern with an injection port on one panel, the panels are bonded to each other in vacuum, and then the liquid crystal is injected through the injection port of the sealing material.

[0004]

[Problems to be Solved by the Invention]

Conventionally, both panels are bonded to each other in vacuum regardless of before or after the sealing material is patterned. In vacuum, the panels cannot be adsorbed using a difference in pressure from the atmosphere, unlike in the atmosphere.

[0005]

When the edges of an upper panel are mechanically held, the center portion thereof is warped. The amount of warp is more and more increased with increase in size and decrease in thickness of the panels.

[0006]

Since the positioning is performed by using the positioning marks provided at the circumferential edges of the respective panels, the great amount of warp enlarges the gap between the edges of both panels, thereby making the positioning difficult.

[0007]

In addition, since the center portion of the upper panel come in contact with the lower panel earlier than the circumferential portions thereof due to the warp of the upper panel, spacers scattered between the panels for keeping the gap between the panels constant are moved, thereby damaging alignment films or the like formed on the panels.

[0008]

Practically, since the upper and lower panels have the same size, the holding tolerance is not provided.

[0009]

As a result, it is an object of the present invention to provide a panel assembling method and a panel assembling apparatus in which panels can be bonded to each other with high accuracy in vacuum even when the panels are increased in size and decreased in thickness.

[0010]

[Means for Solving the Problems]

The present invention for solving the above-mentioned object is characterized in that an electrostatic adsorptive force is applied to an upper panel from a pressing plate to hold the upper panel on the pressing plate, thereby performing a bonding process in vacuum.

[0011]

The present invention is also characterized in that the bonding is performed in vacuum by holding the upper panel on the pressing plate with a suction adsorptive force in the atmosphere, catching the upper panel which is dropped by means of removal of the suction adsorptive force in the course of decompression at a position slightly apart from the pressing plate, and allowing the pressing plate to apply an electrostatic adsorptive force to the caught upper panel and to hold the caught upper panel again.

[0012]

[Embodiments]

Now, an embodiment of the present invention will be described with reference to the drawings.

[0013]

In Figs. 1 to 3, a panel assembling apparatus according to the present invention comprises a liquid crystal dropping unit S1 and a panel bonding unit S2. The units are disposed adjacent to each other on a stand 2. A frame 3 for supporting the panel bonding unit S2 is disposed above the

stand 2. The surface of the stand 2 is provided with an XY θ stage T1. An X stage 4a is movable with a driving motor 5 in the X axis direction, that is, between the liquid crystal dropping unit S1 and the panel bonding unit S2. A Y stage 4b is disposed on the X stage 4a and is movable with a driving motor 6 in the Y axis direction perpendicular to the X axis direction in which the X stage 4a is moved. A θ stage 4c is disposed on the Y stage 4b and is rotatable horizontally about the Y stage 4b with a driving motor 8 through a rotation bearing 7. A table 9 for mounting a lower panel 1a is fixed onto the θ stage 4c. A lower chamber 10 is fixed to the Y stage 4b through a plate 13. The θ stage 4c is provided to the lower chamber 10 through the rotation bearing 11 and a vacuum seal 12 to be rotatable about a shaft A. When the θ stage 4c rotates, the lower chamber 10 does not rotate together.

[0014]

The liquid crystal dropping unit S1 comprises a dispenser 17 supported by a bracket 14 protruded from the frame 3 so as to drop a desired amount of liquid crystal onto the lower panel 1a held on the table 9, a Z stage 15 for vertically moving the dispenser 17, and a motor 16 for driving the Z stage 15. The XY θ stage T1 in which the lower panel 1a is mounted on the table 9 is moved in the X and Y directions with respect to a nozzle 18 of the dispenser 17

for dropping the liquid crystal. As a result, the desired amount of liquid crystal can be dropped at any position on the lower panel 1a.

[0015]

The XY θ stage T1 mounted with the lower panel 1a onto which the liquid crystal has been dropped is moved below the panel bonding unit S2 by the driving motor 5.

[0016]

In the panel bonding unit S2, the upper chamber 21 and an electrostatic adsorption plate 28 therein are vertically movable independent of each other. That is, the upper chamber 21 has a housing 30 with a linear bush and a vacuum seal built therein and is guided by the shaft 29 and moved in the Z axis direction by the cylinder 22 fixed to the frame 3.

[0017]

When the XY θ stage T1 is moved to the panel bonding unit S2 and the upper chamber 21 goes down, a flange of the upper chamber 21 comes in contact with an O ring 44 disposed around the lower chamber 10 to form a body, which serves as a vacuum chamber.

[0018]

The amount of crush of the O ring 44 is set such that the vacuum chamber can be kept in vacuum by adjusting the downward stop position of the upper chamber 21 and the

maximum elasticity can be obtained.

[0019]

The housing 30 has a vacuum seal which is vertically movable with respect to the shaft 29 without vacuum leakage even when the upper chamber 21 and the lower chamber 10 are deformed to form the vacuum chamber. As a result, the housing can absorb a force given to the shaft 29 due to the deformation of the vacuum chamber and most deformation of the pressing plate 27, which is fixed to the shaft 29 and has the electrostatic adsorption plate 28, can be prevented. In addition, the upper panel 1b held on the electrostatic adsorption plate 28 and the lower panel 1a held on the table 9 can be kept in parallel with each other, thereby enabling the bonding.

[0020]

Reference numeral 23 denotes a vacuum valve and reference numeral 24 denotes a piping hose connected to a vacuum source not shown, which are used for decompressing the vacuum chamber into vacuum. Reference numeral 25 denotes a gas purge valve and reference numeral 26 denotes a gas tube connected to a pressure source for nitrogen gas, clean dry air, or the like, which are used for restoring the pressure of the vacuum chamber to the atmospheric pressure.

[0021]

The upper panel 1b is held on the lower surface of the

electrostatic adsorption plate 28 but the upper panel 1b is held on the electrostatic adsorption plate 28 by means of suctional adsorption in the atmosphere. That is, reference numeral 41 denotes a suctional adsorption joint and reference numeral 42 denotes a suction tube connected to a vacuum source not shown. A plurality of suction holes connected to the suction tube is provided in the lower surface of the electrostatic adsorption plate 28.

[0022]

In the atmosphere, the electrostatic adsorption may be combined, and when the electrostatic adsorptive force is great, the suctional adsorption may not be used.

[0023]

The electrostatic adsorption plate 28 is attached to the pressing plate 27 supported by the shaft 29 and the shaft 29 is fixed to the housings 31 and 32. The housing 31 is attached to a frame 2 through a linear guide 34 and the electrostatic adsorption plate 28 is vertically movable. The vertical movement is performed by a motor 40 fixed to a bracket 38 on a frame 35 connected to the frame 2. The delivery of driving power is performed by a ball screw 36 and a nut housing 37. The nut housing 37 is connected to the housing 32 through a load meter 33 and works as one body along with the electrostatic adsorption plate 28.

[0024]

Therefore, the electrostatic adsorption plate 28 goes down with the descent of the shaft 29 by the motor 40 and the upper panel 1b comes in close contact with the lower panel 1a on the table 9, thereby giving a pressing force to the upper panel 1b and the lower panel 1a. In this case, the load meter 33 serves as a pressing force sensor and can give the desired pressing force to the upper and lower panels 1a and 1b by controlling the motor 40 on the basis of signals sequentially fed back.

[0025]

Since the lower panel 1a is mounted in the gravitational direction, as shown in Fig. 2, the vertical pressing of a pressing roller 82 to positioning pieces 81 provided in the table 9 is enough for the positioning fixation. However, at the time of micro positioning just before bringing the panels into contact with each other, the lower panel 1a may be deviated due to the contact of the upper panel 1b with the sealing material or the liquid crystal on the lower panel 1a or the air between the lower panel 1a and the table 9 may be taken out to deviate the lower panel 1a in the course of decompressing the vacuum chamber into vacuum. As a result, the table 9 may have the electrostatic adsorption function. By providing a pin which can be moved in the Z axis direction on the table 9 and grounding the pin, the separation of the cell from the table

9 and the prevention of the cell from being charged after bonding the panels can be easily performed.

[0026]

In Fig. 2, reference numeral 60 denotes a catch claw for catching the upper panel 1b slightly below the electrostatic adsorption plate 28 when the electrostatic adsorption plate 28 adsorbs the upper panel by means of suction and the upper panel is dropped due to removal of the suction adsorptive force in the course of decompressing the vacuum chamber. The catch claw is suspended and supported by a shaft 59 extending downward from two opposite corner positions of the upper panel 1b. Specifically, as shown in Fig. 3, the shaft 59 is sealed in vacuum with the housing 58 of the upper chamber 21 and can be rotated and vertically moved. That is, the shaft 59 can be further vertically moved independent of the vertical movement of the shaft 29 by a lift actuator 62 fixed to a bracket 63 provided in the shaft 29 and can be rotated by a rotation actuator 61.

[0027]

Next, the electrostatic adsorption plate 28 for adsorbing the panel will be described.

[0028]

The electrostatic adsorption plate 28 is made of an insulating material and has two square concave portions. Flat electrodes built in the respective concave portions are

covered with a dielectric material such that the main surface of the dielectric material forms the same plane as the lower surface of the electrostatic adsorption plate 28. The buried flat electrodes are connected to plus/minus DC power through proper switches.

[0029]

Therefore, when a plus or minus voltage is applied to the flat electrodes, minus or plus charges are induced into the main surface forming the same plane as the lower surface of the electrostatic adsorption plate 28. The upper panel 1b is electrostatically adsorbed by means of Coulomb's force generated with respect to the transparent electrode film of the upper panel 1b due to the charges. The voltages applied to the flat electrodes may have the same polarity or may have different polarities.

[0030]

Next, a process of bonding a panel by using the panel assembling apparatus according to the present invention will be described.

[0031]

First, a jig holding the upper panel 1b is mounted on the table 9 and then the XYθ stage T1 is moved to the panel bonding unit S2 with the driving motor 5. Then, the pressing plate 27 or the electrostatic adsorption plate 28 is lowered through the shaft 29 by the motor 40, the upper

panel 1b on the table 9 is adsorbed by suction, and then the plate is raised by the motor 40. Here, the upper panel 1b is on standby.

[0032]

The XYθ stage T1 is returned to the liquid crystal dropping unit S1, the empty jig is removed, the lower panel 1a is mounted on the table 9. Here, the lower panel is fixed and held at a desired position as shown in Fig. 2.

[0033]

Although not shown in Fig. 1, a dispenser for ejecting a sealing material is provided to the frame 3. Accordingly, when the sealing material is ejected while moving the lower panel 1a in the X and Y directions with the motors 5 and 6 of the XYθ stage T1, the sealing material is patterned in a closed pattern on the lower panel 1a. Thereafter, the liquid crystal is dropped onto the lower panel 1a from the dispenser 17. In this case, since the sealing material serves as a dam, the dropped liquid crystal does not flow out.

[0034]

Next, the XYθ stage T1 is moved to the panel bonding unit S2, the upper chamber 21 is lowered with the cylinder 22, and a flange portion 21a is brought into contact with an O ring 44, thereby forming a vacuum chamber along with the lower chamber 10. The vacuum valve 23 is opened to

decompress the vacuum chamber. At this time, since the upper panel 1b is adsorbed on the electrostatic adsorption plate 28 by suction, the suction adsorptive force applied to the upper panel 1b is gradually removed in the course of decompression and thus the upper panel 1b is dropped with its own weight. The dropped upper panel is caught by the catch claw 60 as shown in Fig. 2 and is maintained at a position slightly below the electrostatic adsorption plate 28 as shown in Fig. 3.

[0035]

When the vacuum chamber has the sufficient degree of vacuum, a voltage is applied to the electrostatic adsorption plate 28 and the upper panel 1b on the catch claw 60 is adsorbed by the electrostatic adsorption plate 28 with Coulomb's force. In this case, since the vacuum chamber has the sufficient degree of vacuum, air does not remain between the electrostatic adsorption plate 28 and the upper panel 1b. As a result, the upper panel 1b is not floated when the air is taken out. It is important that the upper panel 1b is in close contact with the electrostatic adsorption plate 28 without air interposed therebetween. As a result, the discharge with the induced charges does not occur.

[0036]

When the discharge is performed with the air remaining, the air is expanded to separate the upper panel 1b from the

electrostatic adsorption plate 28 or to destroy the upper panel 1b made of thin glass. However, in the present embodiment, since no air exists, such an abnormal accident does not occur.

[0037]

Thereafter, the shaft 59 is lowered by means of a lift actuator 62, the shaft 59 is rotated by means of a rotation actuator 61 so as for the catch claw 60 not to interfere with the bonding of the panels, the pressing plate 27 is lowered by means of the motor 40, and then the panels 1a and 1b are bonded to each other with a desired gap by controlling the motor 40 while measuring the pressing force with the load meter 33.

[0038]

In this case, since the upper panel 1b is in close contact with the electrostatic adsorption plate 28 and the center portion is not warped, the spacers in the liquid crystal is not affected bad and it is possible to position the panels. In addition, the positioning is performed with high accuracy by reading out the positioning marks of the respective panels 1a and 1b with an image recognizing camera through a not-shown window provided in the upper chamber 21, measuring the position through an image processing, and minutely moving the respective stages 4a to 4c of the XYθ stage T1.

[0039]

When the bonding is finished, the vacuum valve 23 is shut and the gas purge valve 25 is opened. As a result, nitrogen gas or clean dry air is supplied into the vacuum chamber and the vacuum chamber is restored to the atmospheric pressure. Then, the gas purge valve 25 is shut, the upper chamber 21 is raised with the cylinder 22, the XYθ stage T1 is restored to the liquid crystal dropping unit S1. Thereafter, the cell is separated from the table 9 and the next bonding is waited for. Here, since the cell having been subjected to the bonding process may be charged, the cell may be separated from the table 9 after performing an electricity removing process such as bringing the cell into contact with a grounded electricity removing bar or blowing out ion wind to the cell. The sealing material in the cell separated from the table 9 is hardened by means of a UV irradiator or a heater.

[0040]

In the above-mentioned embodiment, since the bonding process is performed right after the liquid crystal is dropped in the sealing material, dust is not attached to the panels, thereby improving the production yield. In addition, since the XYθ stage T1 can be used for carrying the upper panel 1b into the vacuum chamber, it is possible to reduce the size of the apparatus.

[0041]

The present invention is not limited to the above-mentioned embodiment but may be embodied as follows.

[0042]

(1) The XY θ stage T1 is provided with a plurality of catch claws (corresponding to the catch claw 60 in Fig. 2) expandable in the vertical direction. Accordingly, by placing the upper panel 1b on the catch claws when the XY θ stage T1 is located in the liquid crystal dropping unit S1 and moving the XY θ stage T1 to the panel bonding unit S2, the movement of the upper panel 1b to the electrostatic adsorption plate 28 may be performed.

[0043]

(2) In addition, the upper panel may be sucked and held by the electrostatic adsorption plate 28 directly using a robot hand.

[0044]

(3) The upper panel 1b dropped when the vacuum chamber is decompressed may be caught by the catch claws provided in the XY θ stage T1 described in (1).

[0045]

(4) Before the upper panel 1b is dropped, the upper panel 1b may be pressed to the electrostatic adsorption plate 28 by the catch claws 60 shown in Fig. 2 or the catch claws provided in the XY θ stage T1 and may be switched to

the electrostatic adsorption by decompressing the vacuum chamber in the state where the upper panel is adsorbed on the electrostatic adsorption plate 28 by suction. In this case, by making the upper panel 1b not to come in physical contact with the electrostatic adsorption plate 28, the air between the upper panel 1b and the electrostatic adsorption plate 28 can be removed at the same time as the decompression.

[0046]

(5) The upper panel 1b may be held at a position slight apart from the electrostatic adsorption plate 28 the catch claws 60 shown in Fig. 2 or the catch claws provided in the XY θ stage T1 and then the electrostatic adsorption may be performed in the course of decompressing the vacuum chamber without performing the suction adsorption.

[0047]

(6) In Fig. 2, two corners (two corners forming a diagonal) of the upper panel 1b is held by the catch claws 60. However, four corners of the upper panel 1b may be held or four sides or two longitudinal sides or two lateral sides of the upper panel 1b may be held by proper means.

[0048]

[Advantages]

According to the present invention described above, even when a panel is increased in size and decreased in

thickness, it is possible to bond panels to each other in vacuum with high accuracy.

[Brief Description of the Drawings]

[Fig. 1]

Fig. 1 is a schematic diagram illustrating a panel assembling apparatus according to an embodiment of the present invention.

[Fig. 2]

Fig. 2 is a perspective view illustrating a state where an upper panel and a lower panel are bonded.

[Fig. 3]

Fig. 3 is a cross-sectional view of important parts illustrating a state just before both panels are bonded by applying an electrostatic adsorptive force to the upper panel.

[Reference Numerals]

S2: PANEL BONDING UNIT

1a: LOWER PANEL

1b: UPPER PANEL

9: TABLE

10: LOWER CHAMBER

21: UPPER CHAMBER

23: VACUUM VALVE

27: PRESSING PLATE

28: ELECTROSTATIC ADSORPTIVE PLATE

59: SHAFT

60: PANEL HOLDING MEMBER

61: ROTATION ACTUATOR

62: LIFT ACTUATOR

(19)日本国特許庁 (J P)

(12)公開特許公報 (A)

(11)特許出願公開番号

特開2000-284295

(P 2 0 0 0 - 2 8 4 2 9 5 A)

(43)公開日 平成12年10月13日(2000. 10. 13)

(51) Int. Cl. ⁷	識別記号	F I	7-マコード (参考)
G02F 1/1339	505	G02F 1/1339	505 2H088
1/13	101	1/13	101 2H089
1/1333	500	1/1333	500 2H090
G09F 9/30		G09F 9/30	C 5C094
	310		310

審査請求 未請求 請求項の数 5 O L (全6頁)

(21)出願番号 特願平11-89612
 (22)出願日 平成11年3月30日(1999. 3. 30)

(71)出願人 000233077
 日立テクノエンジニアリング株式会社
 東京都足立区中川四丁目13番17号
 (72)発明者 八幡 聡
 茨城県竜ヶ崎市向陽台5丁目2番 日立
 テクノエンジニアリング株式会社開発研究所
 内
 (72)発明者 今泉 潔
 茨城県竜ヶ崎市向陽台5丁目2番 日立
 テクノエンジニアリング株式会社開発研究所
 内
 (74)代理人 100059269
 弁理士 秋本 正実

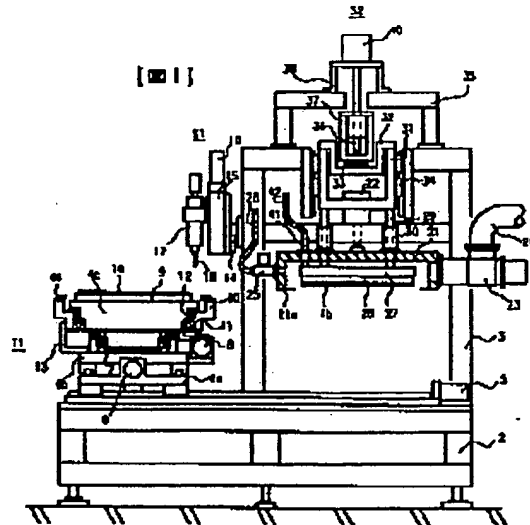
最終頁に続く

(54)【発明の名称】 基板の組立方法およびその装置

(57)【要約】

【課題】 基板サイズが大型化、薄板化しても真空中で高精度に同程度の基板同士を貼り合わせることが可能な基板の組立方法およびその装置を提供することである。

【解決手段】 加圧板から上基板に静電吸着力を作用させて加圧板上に基板を保持させて真空中で貼り合わせを行う。さらには、上基板を加圧板に吸引吸着力で保持させ、減圧を進める過程で吸引吸着力が消えた時に落下し加圧板から僅かに離れた程度の位置に受け止められた上基板に静電吸着力を作用させて、再度加圧板上に基板を保持させて真空中で貼り合わせを行なう。



【特許請求の範囲】

【請求項1】 貼り合わせる一方の基板を加圧板の下面に保持し、貼り合わせる他方の基板をテーブル上に保持して対向させ、いずれかの基板に設けた接着剤により真空中で間隔を狭めて貼り合わせる基板の組立方法において、

加圧板から一方の基板に静電吸着力を作用させて一方の基板を加圧板に保持させて貼り合わせを行うことを特徴とする基板の組立方法。

【請求項2】 貼り合わせる一方の基板を加圧板の下面に保持し、貼り合わせる他方の基板をテーブル上に保持して対向させ、いずれかの基板に設けた接着剤により真空中で間隔を狭めて貼り合わせる基板の組立方法において、

一方の基板を加圧板に大気中で吸引吸着力によって保持させ、減圧を進める過程で吸引吸着力が消えて落下する一方の基板を加圧板から僅かに離れた程度の位置に受け止めて、この一方の基板に加圧板から静電吸着力を作用させて加圧板に一方の基板を保持させて貼り合わせを行なうことを特徴とする基板の組立方法。

【請求項3】 貼り合わせる一方の基板を加圧板の下面に保持し、貼り合わせる他方の基板をテーブル上に保持して対向させ、いずれかの基板に設けた接着剤により真空中で間隔を狭めて貼り合わせる基板の組立方法において、

一方の基板を加圧板に大気中で吸引吸着力によって保持させるとともに押し当てておき、減圧を進める過程で吸引吸着力が消える前後でこの一方の基板に加圧板から静電吸着力を作用させて加圧板に一方の基板を引き続き保持させて貼り合わせを行なうことを特徴とする基板の組立方法。

【請求項4】 真空チャンバ内の上方に位置する加圧板の下面に貼り合わせる一方の基板を保持し、貼り合わせる他方の基板を真空チャンバ内の下方に位置するテーブル上に保持して両基板を対向させ、いずれかの基板に設けた接着剤により真空中で両基板の間隔を狭めて基板同士を貼り合わせる基板の組立装置において、

加圧板に一方の基板を吸引吸着力で保持させる手段と静電吸着力で保持させる手段を設け、真空チャンバ内の減圧を進める過程で吸引吸着力が消えた時に落下する一方の基板を加圧板から僅かに離れた程度の位置に受け止める手段あるいは加圧板に一方の基板を押し付ける手段を設け、この受け止め手段あるいは押し付ける手段上に一方の基板があるときに少なくとも静電吸着力を作用させて加圧板に一方の基板を保持させる手段を設けたことを特徴とする基板の組立装置。

【請求項5】 真空チャンバ内の上方に位置する加圧板の下面に貼り合わせる一方の基板を保持し、貼り合わせる他方の基板を真空チャンバ内の下方に位置するテーブル上に保持して両基板を対向させ、いずれかの基板に設け

た接着剤により真空中で両基板の間隔を狭めて基板同士を貼り合わせる基板の組立装置において、

テーブルは真空チャンバの内外間を水平に移動できるものであり、真空チャンバの外に位置したテーブル上の他方の基板に接着剤を閉鎖したパターンに描画する手段と、テーブル上における他方の基板上の接着剤の閉鎖したパターン内に液晶を滴下する手段を設け、加圧板に一方の基板を吸引吸着力で保持させる手段と静電吸着力で保持させる手段を設け、真空チャンバ内の減圧を進める過程で吸引吸着力が消えた時に落下する一方の基板を加圧板から僅かに離れた程度の位置に受け止める手段あるいは加圧板に一方の基板を押し付ける手段を設け、この受け止め手段あるいは押し付ける手段上に一方の基板があるときに少なくとも静電吸着力を作用させて加圧板に一方の基板を保持させる手段を設けたことを特徴とする基板の組立装置。

【発明の詳細な説明】

【0001】

【発明の属する技術分野】 本発明は、真空チャンバ内で貼り合わせる基板同士をそれぞれ保持して対向させ真空中で間隔を狭めて貼り合わせる基板の組立方法とその装置に関する。

【0002】

【従来の技術】 液晶表示パネルの製造には、透明電極や薄膜トランジスタアレイを付けた2枚のガラス基板を数 μm 程度の極めて接近した間隔をもって接着剤（以下、シール剤ともいう）で貼り合わせ（以後、貼り合せ後の基板をセルと呼ぶ）、それによって形成される空間に液晶を封止する工程がある。

【0003】 この液晶の封止には、注入口を設けないようにシール剤をクローズしたパターンに描画した一方の基板上に液晶を滴下しておいて他方の基板を一方の基板上に配置し真空中で上下の基板を接近させて貼り合わせる特開昭62-165622号公報で提案された方法や、一方の基板上に注入口を設けるようにシール剤をパターン描画して真空中で基板の貼り合わせ後にシール剤の注入口から注入する特開平10-26763号公報で提案された方法などがある。

【0004】

【発明が解決しようとする課題】 上記従来技術では、シール剤のパターン描画の前後に係わらず、いずれも両基板は真空中で貼り合わせている。真空中では、大気状態時のように、基板を大気との圧力差で吸引吸着することができない。

【0005】 上側に位置する基板（以下、上基板と呼ぶ。）の端部を機械的に保持すると基板の中央部がたわみ、そのたわみは最近の基板大型化、薄板化傾向が強まるにつれて大きくなっている。

【0006】 上下各基板の周縁端部に設けた位置合わせマークを利用して位置決めを行うため、たわみが大きい

程両基板の端部同士の間隔は拡がり位置合わせができない。

【0007】更に、上基板のたわみで上基板の中央部が周縁部よりも先に下側の基板（以下、下基板と呼ぶ。）に接触するので、基板間隔を一定にする為に基板間に散布されているスペーサが動き、基板上に形成されている配向膜などを傷つけてしまう。

【0008】実際には貼り合わせる上下の基板は同サイズなので、保持代がほとんど取れない状態にある。

【0009】それゆえ本発明の目的は、基板サイズが大型化、薄板化しても真空中で高精度に同程度の基板同士を貼り合わせることが可能な基板の組立方法およびその装置を提供することにある。

【0010】

【課題を解決するための手段】上記目的を達成する本発明の特徴とするところは、加圧板から上基板に静電吸着力を作用させて加圧板上に基板を保持させて真空中で貼り合わせを行うことにある。

【0011】さらには、上基板を加圧板に大気中で吸引吸着力で保持させ、減圧を進める過程で吸引吸着力が消えた時に落下する上基板を加圧板から僅かに離れた程度の位置に受け止めて、この上基板に加圧板から静電吸着力を作用させて、再び加圧板上に基板を保持させて真空中で貼り合わせを行なうことにある。

【0012】

【発明の実施の形態】以下、本発明の一実施形態を図に基づいて説明する。

【0013】図1乃至図3において、本発明になる基板組立装置は、液晶滴下部S1と基板貼合部S2から構成され、この両部分は架台2上に隣接して配置される。架台2の上方には基板貼合部S2を支持するフレーム3がある。また、架台2の上面上には、XYθステージT1が備えられている。Xステージ4aは、駆動モータ5により、図面上で左右のX軸方向に、即ち、液晶滴下部S1と基板貼合部S2間を往来できるようになっている。Yステージ4bはXステージ4a上にあり、駆動モータ6によりXステージと直交するY軸方向に往来できるようになっている。θステージ4cはYステージ4b上にあり、回転ベアリング7を介して駆動モータ8によりYステージ4bに対して水平に回転可能になっていて、θステージ4c上に基板を搭載するテーブル9が固定される。また、Yステージ4bにプレート13で下チャンバ10が固定されている。θステージ4cは、下チャンバ10に対し回転ベアリング11と真空シール12を介して軸Aを回転中心として回転自由に取付けられ、θステージ4cが回転しても下チャンバ10はつられて回転しない構造としている。

【0014】液晶滴下部S1は、テーブル9に保持された下基板1aに所望量の液晶剤を滴下するためのフレーム3から突出したブラケット14で支持されたディス

ンサ17とこれを上下移動させるためのZ軸ステージ15とそれを駆動するモータ16で構成される。下基板1aをテーブル9上に保持搭載したXYθステージT1は、液晶剤を滴下するディスペンサ17のノズル18に対し、XおよびY方向に移動する。これにより、下基板1a上の任意の個所に所望量の液晶剤が滴下される。

【0015】液晶滴下後の下基板1aを搭載保持したXYθステージT1は基板貼合部S2の下部に駆動モータ5によって移動する。

10 【0016】基板貼合部S2では、上チャンバ21とその内部の静電吸着板28がそれぞれ独立して上下動できる構造になっている。即ち、上チャンバ21は、リニアブッシュと真空シールを内蔵したハウジング30を有しており、シャフト29をガイドとしてフレーム2に固定されたシリンダ22により上下のZ軸方向に移動する。

【0017】XYθステージT1が基板貼合部S2に移動して上チャンバ21が下降すると、下チャンバ10の周りに配置してあるOリング44に上チャンバ21のフランジが接触し一体となり、この時真空チャンバとして機能する状態になる。

20 【0018】Oリング44のつぶれ量は、上チャンバ21の下降停止位置を調整し、真空チャンバ内を真空に保つことができ、かつ、最大の弾性が得られる程度に設定する。

【0019】ハウジング30は、上チャンバ21が下チャンバ10と真空チャンバを形成して変形しても、シャフト29に対し真空漏れを起こさずに上下動可能な真空シールを内蔵しているため、真空チャンバの変形がシャフト29に与える力を吸収することができ、シャフト29に固定され静電吸着板28を保持した加圧板27の変形がほぼ防止でき、後述するように静電吸着板28に保持された上基板1bとテーブル9に保持された下基板1aとの平行を保って貼り合わせが可能となる。

【0020】23は真空バルブ、24は配管ホースで図示していない真空源に接続され、これらは真空チャンバを減圧し真空にする時に使用される。また、25はガスパージバルブ、26はガスチューブで、N₂やクリーンドライエアー等の圧力源に接続され、これらは真空チャンバを大気圧に戻す時に使用される。

40 【0021】上基板1bは静電吸着板28の下面に密着保持されるが、大気下において上基板1bは吸引吸着で静電吸着板28に保持されるようになっている。即ち、41は吸引吸着用継手、42は吸引チューブであり、図示していない真空源に接続され、静電吸着板28面には、それにつながる複数の吸引孔が設けられている。

【0022】尚、周りが大気の場合、静電吸着を併用してもよいし、静電吸着力が大きい場合は、吸引吸着を不要としてもよい。

50 【0023】静電吸着板28はシャフト29で支持された加圧板27に取付けられており、シャフト29はハウ

ジング31、32に固定されている。ハウジング31はフレーム2に対してリニアガイド34で取付けられ、静電吸着板28は上下動可能な構造になっている。その上下駆動はフレーム2とつながるフレーム35上のブラケット38に固定されたモータ40により行う。駆動の伝達はボールねじ36とナットハウジング37で実行される。ナットハウジング37は荷重計33を介してハウジング32とつながり、その下部の静電吸着板28と一体で動作する。

【0024】従って、モータ40によってシャフト29が下降し、上基板1bを保持した静電吸着板28が下降し上基板1bがテーブル9上の下基板1aと密着して、加圧力を与えることのできる構造となっている。この場合、荷重計33は加圧力センサとして働き、逐次、フィードバックされた信号を基にモータ40を制御することで、上下基板1a、1bに所望の加圧力を与えることが可能となっている。

【0025】下基板1aは重力方向の搭載なので、図2に示すようにテーブル9に設けた位置決め部材81に押付ローラ82による水平方向での押付けによる位置決めの固定で十分であるが、貼り合わせ直前の微小位置決めの際、上基板1bが下基板1a上のシール剤や液晶剤と接触した影響で下基板1aがずれたり持上がる可能性があることや真空チャンバ内が減圧され真空になる過程で下基板1aとテーブル9との間に入り込んでいる空気が逃げて下基板1aが踊りずれる可能性があるため、テーブル9に対しても静電吸着の機能を持たせても良い。そして、テーブル9に上下Z軸方向に移動できるピンを設け接地しておく、基板貼り合わせ後のセルの帯電防止とテーブル9からのセル取り外しを容易に行なうことができる。

【0026】図2に示す60は、静電吸着板28が吸引吸着をしていて真空チャンバが減圧され吸引吸着力が消えて上基板1bが落下するときに静電吸着板28の僅か下の位置で受け止める受止爪で、上基板1bの2個の対角の位置にあって下方に伸びたシャフト59で釣り下げた形に支持されている。具体的には、図3に示すように、シャフト59は上チャンバ21のハウジング58を介して真空シールされて回転と上下移動ができるようになっている。即ち、シャフト59は、シャフト29に設けたブラケット63に固定された昇降アクチュエータ62でシャフト29の上下移動とは独立してさらに上下に移動できるだけでなく、回転アクチュエータ61によって回転できるようになっている。

【0027】次に、基板を吸着する静電吸着板28について説明する。

【0028】静電吸着板28は絶縁物の板であり、方形の凹部を2個有していて、各凹部に内蔵された平板電極を誘電体で覆ってその誘電体の主面が静電吸着板28の下面と同一平面になっている。埋め込まれた各平板電極

はそれぞれ正負の直流電源に適宜なスイッチを介して接続されている。

【0029】従って、各平板電極に正あるいは負の電圧が印加されると、静電吸着板28の下面と同一平面になっている誘電体の主面に負あるいは正の電荷が誘起され、それら電荷によって上基板1bの透明電極膜との間に発生するクーロン力で上基板1bが静電吸着される。各平板電極に印加する電圧は同極でもよいしそれぞれ異なる双極でもよい。

10 【0030】次に、本基板組立装置で基板を貼り合わせる工程について説明する。

【0031】先ず、テーブル9に上基板1bを保持した治具を搭載し、駆動モータ5でXYθステージT1を基板貼合部S2に移動させる。そこでモータ40によりシャフト29を介して加圧板27や静電吸着板28を降下させ、テーブル9上の上基板1bを吸引吸着させてから、モータ40で上昇させて、上基板1bを待機状態とする。

20 【0032】XYθステージT1は液晶滴下部S1に戻って、空になった治具が外されテーブル9上に下基板1aが搭載され、図2に示すように所望位置に固定保持される。

【0033】図1には示していないが、フレーム3にシール剤を吐出するデイスベンサがあって、XYθステージT1の各モータ5、6で下基板1aをXY軸方向に移動させつつシール剤を吐出させると、下基板1a上にクローズ（閉鎖）したパターンでシール剤を描画できる。その後、デイスベンサ17から液晶剤を下基板1a上に滴下する。この場合、シール剤がダムとなって、滴下した液晶剤は流失することはない。

30 【0034】次に、XYθステージT1を基板貼合部S2に移動させ、シリンダ22で上チャンバ21を降下させ、そのフランジ部21aをOリング44に当接させて下チャンバ10と真空チャンバを形成させる。そして、真空バルブ23を開放して真空チャンバ内が減圧していく。この時、上基板1bは静電吸着板28に吸引吸着された状態になっているので、減圧が進み真空化していくと上基板1bに作用していた吸引吸着力は消えて行き、上基板1bが自重で落下する。これを図2に示すように受止爪60で受け止めて、図3に示すように静電吸着板28の僅か下の位置に保持しておく。

40 【0035】真空チャンバ内が充分真空になった時点で、静電吸着板28に電圧を印加して受止爪60上の上基板1bを、静電吸着板28にクーロン力で吸引保持する。この場合、既に真空になっているので、静電吸着板28と上基板1bの間に空気が残るようなことは無いし、その空気が逃げるときに上基板1bが踊ることもない。より重要なことは空気を介在させることなく、静電吸着板28に上基板1bが密着していることである。そのため、誘起電荷で放電が発生することがない。

【0036】空気を残したまま放電を生じると空気が膨張し、上基板1bを静電吸着板28から剥離させたり薄ガラス製の上基板1bを破壊することがあるが、本実施形態によれば空気が存在しないので、そのような異常事故は発生しない。

【0037】その後、昇降アクチュエータ62でシャフト59を下降させ、次に、回転アクチュエータ61でシャフト59を回転させ、受止爪60が上下両基板の貼り合わせの邪魔にならぬようにしてから、モータ40で加圧板27を降下させ、荷重計33で加圧力を計測しつつモータ40を制御して上下両基板1a、1bを所望間隔に貼り合わせる。

【0038】この場合、上基板1bは静電吸着板28に密着していて中央部が垂れ下がっていることはないから、液晶剤中のスペーサに悪影響を与えたり、基板同士の位置合わせが不可能になることはない。因みに、位置合わせは図示を省略した上チャンバ21に設けた覗き窓から画像認識カメラで上下各基板1a、1bに設けられている位置合わせマークを読み取って画像処理により位置を計測し、XYθステージT1の各ステージ4a乃至4cを微動させて、高精度な位置合わせを行なう。

【0039】貼り合わせが終了すると、真空バルブ23を締めてガスバージバルブ25を開き、真空チャンバ内にN₂やクリンドライエアーを供給し、大気圧に戻してからガスバージバルブ25を閉じて、シリンダ22で上チャンバ21を上昇させ、XYθステージT1を液晶滴下部S1に戻して、テーブル9からセルを外し次の貼り合わせに備える。ここで、貼合後のセルは帯電している場合があるので、接地した除電バーに接触させたりイオン風を吹き当てるなどの除電処理をしてから、テーブル9からセルを外すと良い。テーブル9から外したセルは下流のUV光照射装置や加熱装置などでシール剤が硬化される。

【0040】以上の実施形態では、シール剤を吐出して液晶を滴下し直ちに貼り合わせに移行するので、基板が塵埃を受けづらく生産歩留まりを向上できる。また、XYθステージT1を上基板1bの真空チャンバ内への搬送に利用でき、装置の小型化が図られている。

【0041】本発明は以上説明した実施形態に限らず、以下の様に実施しても良い。

【0042】(1) 上基板1bの静電吸着板28への供給は、XYθステージT1に上下方向に伸縮可能な複数の受止爪(図2の受止爪60相当のもの)を設けておいて、XYθステージT1が液晶滴下部S1にあるときにその複数の受止爪上に上基板1bを載せて、XYθステージT1を基板貼合部S2に移動させるようにしてもよい。

【0043】(2) また、ロボットハンドから直接静

電吸着板28に吸引吸着をしてよい。

【0044】(3) 上記(1)で説明したXYθステージT1に設けた受止爪で、減圧が進む際に落下する上基板1bを受け止めるようにしてもよい。

【0045】(4) さらに、図2の受止爪60や上記(1)で説明したXYθステージT1に設けた受止爪で、上基板1bが落下する前に上基板1bを静電吸着板28に押し付けておいて、静電吸着板28に吸引吸着された状態から減圧を進めて、静電吸着に切替えてもよい。この場合、物理的に上基板1bが静電吸着板28に密着しているということがないようにしておくことで、上基板1bと静電吸着板28の間の空気を減圧とともに真空化することができる。

【0046】(5) さらにまた、図2の受止爪60や上記(1)で説明したXYθステージT1に設けた受止爪で、上基板1bを静電吸着板28から僅かに離れた位置に保持しておいて、吸引吸着をしないで減圧を進める途中で静電吸着を行なってもよい。

【0047】(6) また、図2では受止爪60により上基板1bの2個の角部(対角を構成する2隅)を保持しているが、上基板1bの4個の角部(4隅)を保持したり、上基板1bの4辺あるいは長手方向の2辺または幅方向の2辺を適宜な手段で保持するようにしてもよい。

【0048】

【発明の効果】以上説明したように本発明によれば、基板サイズが大型化、薄板化しても真空中で高精度に同程度の基板同士を貼り合せることができる。

【図面の簡単な説明】

【図1】本発明の一実施形態を示す基板組立装置の概略図である。

【図2】上下の各基板を貼り合わせるときの状況を示す斜視図である。

【図3】上基板に静電吸着力を作用させ上下両基板を貼り合わせる直前の状況を示す要部の断面図である。

【符号の説明】

S2 基板貼合部

1a 下基板

1b 上基板

9 テーブル

10 下チャンバ

21 上チャンバ

23 真空バルブ

27 加圧板

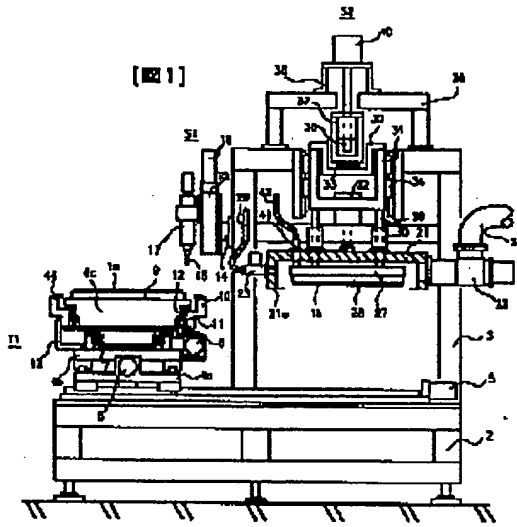
28 静電吸着板

59 シャフト

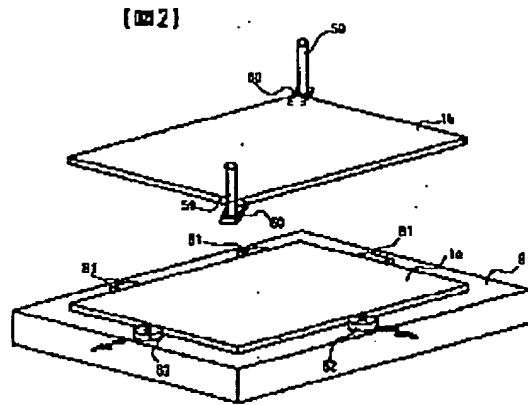
61 回転アクチュエータ

62 昇降アクチュエータ

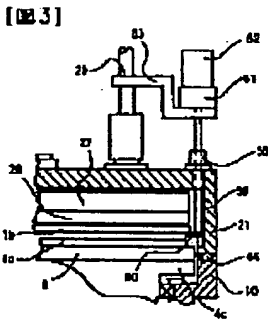
【図1】



【図2】



【図3】



フロントページの続き

(72)発明者 齊藤 正行
 茨城県竜ヶ崎市向陽台5丁目2番 日立テ
 クノエンジニアリング株式会社開発研究所
 内
 (72)発明者 川隅 幸宏
 茨城県竜ヶ崎市向陽台5丁目2番 日立テ
 クノエンジニアリング株式会社開発研究所
 内

(72)発明者 三階 春夫
 茨城県竜ヶ崎市向陽台5丁目2番 日立テ
 クノエンジニアリング株式会社開発研究所
 内
 (72)発明者 平井 明
 茨城県竜ヶ崎市向陽台5丁目2番 日立テ
 クノエンジニアリング株式会社開発研究所
 内

Fターム(参考) 2H088 FA01 FA10 FA16 FA30 HA01
 2H089 NA49 NAGO QA11
 2H090 JC12 LA02
 5C094 AA14 AA42 AA43 AA55 BA43
 GB01